






PROJECT		REF		REV	ITEM CODE	
LOCATION		DATE			PAGE	

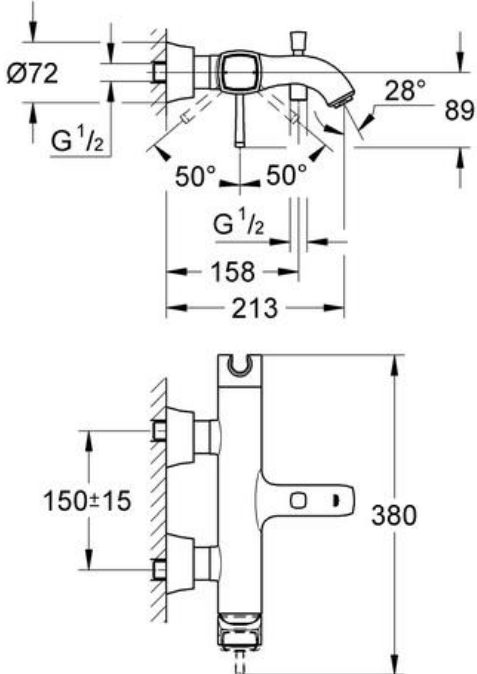
## SANITARY WARE SPECIFICATION SHEET

Item Descriptions	GROHE (Germany) "Grandera" Single-lever bath/shower mixer 1/2"
Dimensions	L380 x W88 x H72 mm
Model	23317000
Finish / Material	Chrome Plated
Country of origin	Germany
Manufacturer	GROHE Limited
Supplier	Acme Sanitary Ware Co. Ltd Mr. Eric Wong/ Mr. Don Yuen
Contact Tel/Fax	(852) 2388-7171 / (852) 2710-8012
E-mail	acme@acmesanitary.com.hk
Website	www.acmesanitary.com.hk

Illustration/ Drawing







**"Grandera"**  
**Single-lever bath/shower mixer 1/2 "**

- wall mounted
- **GROHE SilkMove** 46 mm ceramic cartridge
- **GROHE StarLight** chrome finish
- adjustable flow rate limiter
- integrated hand shower holder
- automatic diverter: bath/shower
- mousseur
- integrated non-return valve in the shower outlet 1/2"
- covered S-unions
- protected against backflow



**23317000**



**233171G0**

**Colour options:**

● 000 | StarLight Chrome    ● IG0 | Chrome/Gold

**Note:**

*\* All information of the above is for the reference only. No prior notice is made if any changes.*



PROJECT		REF		REV	ITEM CODE	
LOCATION		DATE			PAGE	

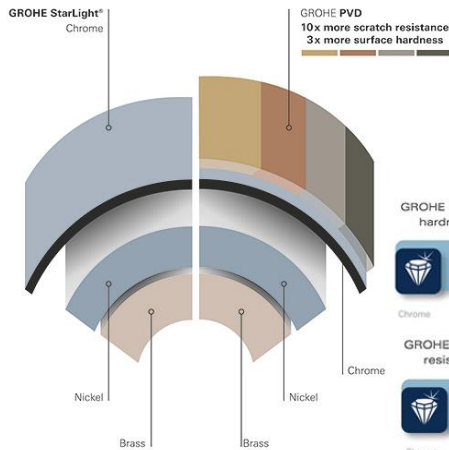
## SANITARY WARE SPECIFICATION SHEET

# GROHE GRANDERA

### TOMORROW'S GRAND STYLE

The GROHE Grandera collection is both a homage to an age of grandeur long past and an affirmation of modern sensibility, combining the highest standards of quality and craftsmanship with a love of detail and comfort.

Stylistically, the Grandera collection can be combined with a wide range of bathroom furnishings, with the added flexibility of two colors – chrome and chrome / gold.



GROHE surface hardness

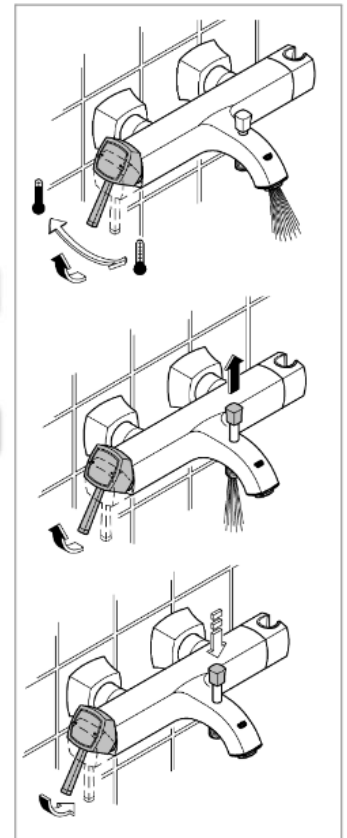


Chrome PVD



GROHE scratch resistance

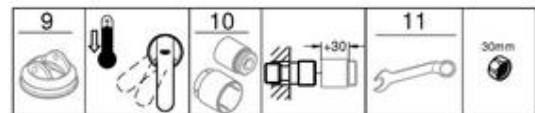
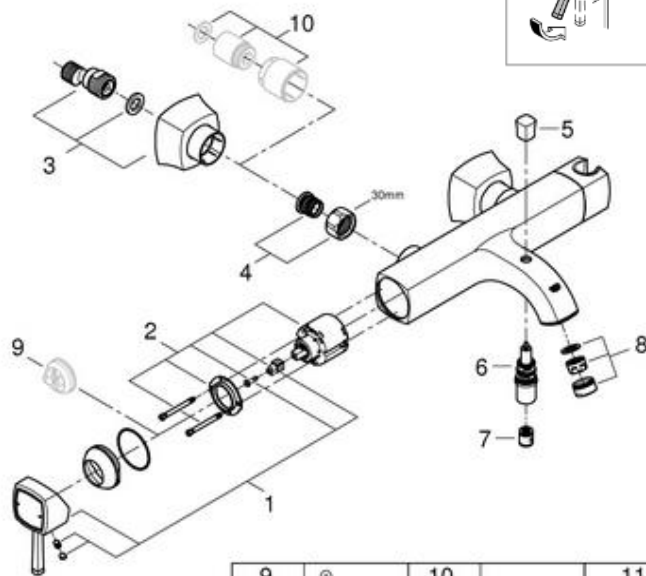
Chrome PVD



### GROHE SilkMove cartridge technology for smooth handling

This premium tap comes with a continuously variable water temperature and volume adjustment technology, ensuring effortless lever operation even after years of use.

Pos.-nr.	Prod. description	Order-nr.
1	Lever	46833000
2	Cartridge	46048000
3	S-union, exposed	46861000
4	Screw connection 1/2"	45044000
5	Diverter knob	48217000
6	Diverter	65655000
7	Non-return valve	08565000
8	Mousseur	13952000
9	Temperature limiter	46375000*
10	Extension set, 30 mm	46238000*
11	Special spanner	19377000*



\* Optional accessories

**Note:**

\* All information of the above is for the reference only. No prior notice is made if any changes.